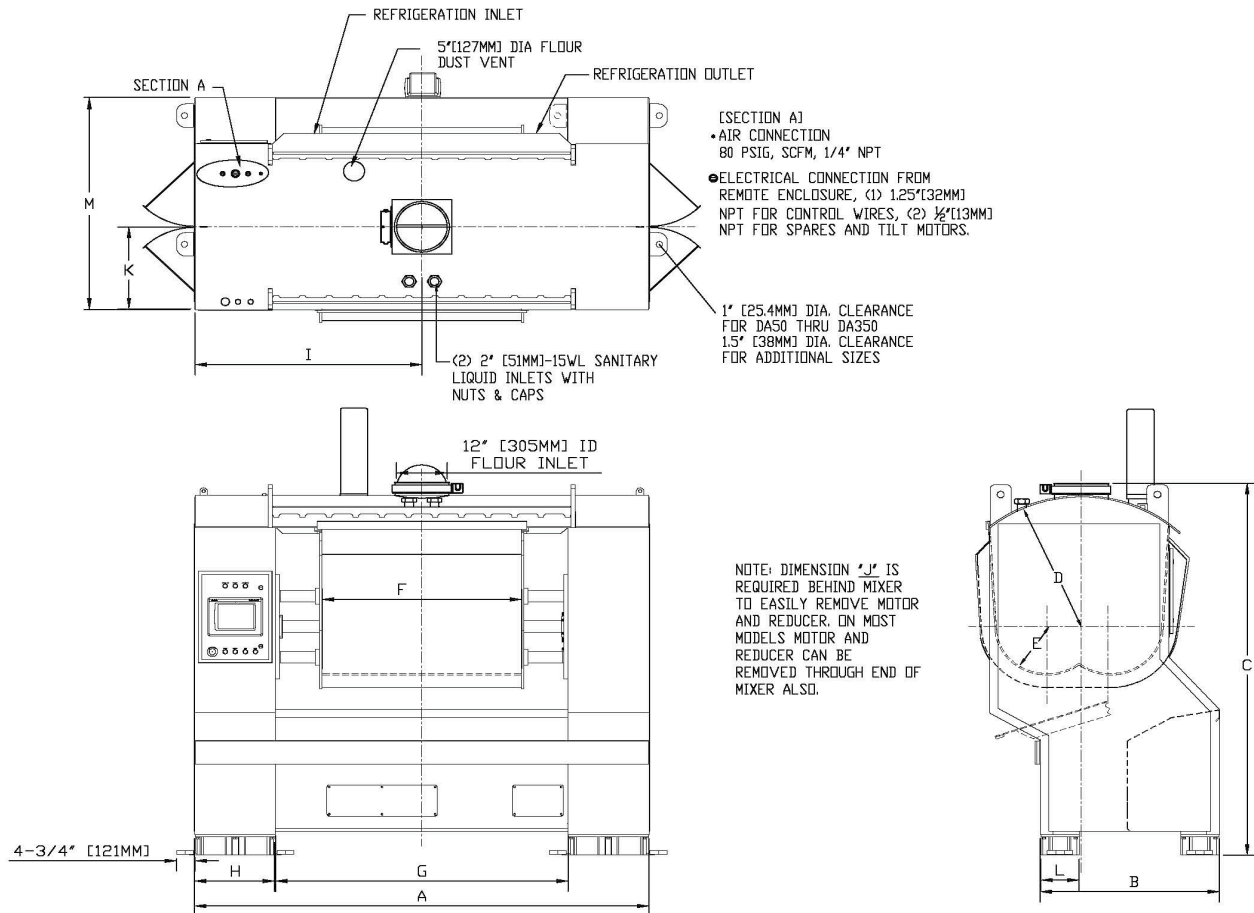


Double Arm Mixer - Extended Frame Spec Sheet (Imperial)



DIMENSIONS (Inches)

Model	A	B	C	D	E	F	G	H	I	J	K	L	M
DA50	84	42	83	28	9	28	46	19	42	26	21	6	53
DA100	84	42	86	30	12	28	46	19	42	26	21	6	53
DA150	91	42	86	30	12	35	53	19	46	26	21	9	53
DA200	105	42	94	33	12	47	67	19	53	26	21	9	53
DA250	109	42	96	35	12	47	71	19	55	26	21	9	53
DA300	115	46	101	36	13	55	77	19	58	28	23	9	58
DA350	115	46	101	36	14	55	77	19	58	28	23	9	58
DA400	119	52	111	40	16	55	77	21	60	32	26	12	65
DA500	124	56	117	40	16	60	82	21	62	32	28	12	70
DA600	131	58	117	40	17	67	89	21	66	32	29	12	73
DA650	131	60	117	40	18	67	89	21	66	32	30	12	75

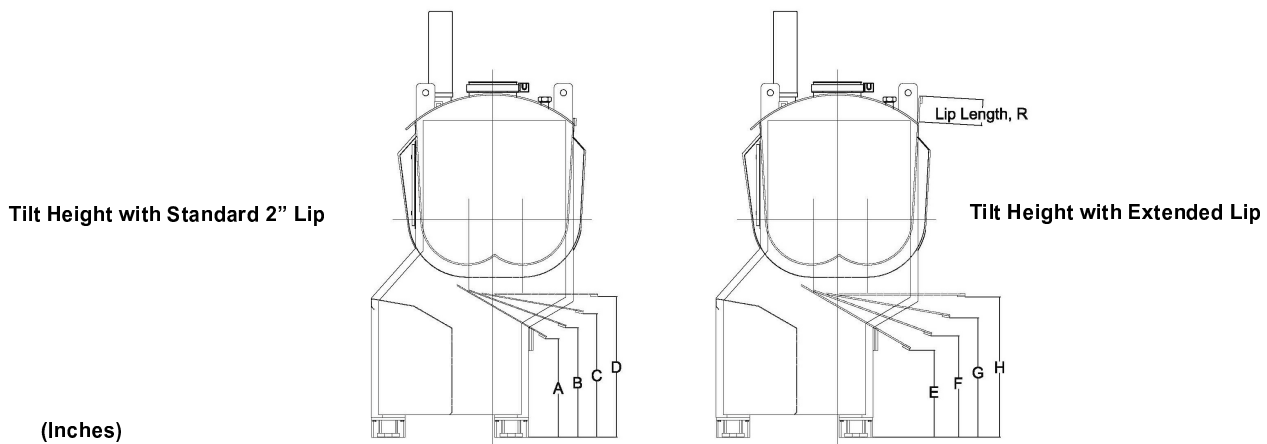
Dimensions are for reference only. Due to the continuous effort of Peerless Engineering to improve performance, dimensional data and specifications are subject to change without notice.



Double Arm Mixer - Extended Frame Spec Sheet (Imperial)

SPECIFICATIONS

Model	Mixing Capacity (Pounds)	Total Bowl Volume (Cu. Ft.)	Working Capacity (Cu.Ft.)	Drive Motor H.P.	Total Load (KVA)	Tilt Motor H.P.	Net Weights (lbs.)	Approx. Shipping Weight (lbs.)
DA50	450	13.7	10.01	10	12	5	9,600	10,000
DA100	900	24.5	18.1	15	20	5	10,000	10,400
DA150	1,100	30.6	22.7	20	25	5	10,400	10,800
DA200	1,500	44.6	30.3	30	35	5	11,400	11,900
DA250	1,700	46.8	33.7	40	45	5	11,900	12,400
DA300	2,050	62.5	41.5	50	55	5	12,550	13,100
DA350	2,350	65.3	45.8	60	65	5	13,650	14,200
DA400	2,600	80.2	54.2	70	80	7.5	21,100	21,800
DA500	330	96.1	68.0	100	105	7.5	22,550	23,300
DA600	4,000	117.0	82.9	125	130	7.5	24,600	25,400
DA650	4,400	121.5	89.2	125	130	7.5	25,500	26,300



Dimension	120°		110°			100°			90°			
	A	R	E	B	R	F	C	R	G	D	R	H
DA50	24 1/2	14	18 1/2	27	9	24 1/2	30 1/4	4	30	34	2	34
DA100	21 1/2	16	14 1/2	23 3/4	10	21	27	5	26 1/2	30 1/2	2	30 1/2
DA150	21 1/2	16	14 1/2	23 3/4	10	21	27	5	26 1/2	30 1/2	2	30 1/2
DA200	24	13	18 1/2	27	6	25 1/2	31	2	31	35	2	35
DA250	23	10	19	26 1/4	4	25 1/2	30 1/2	2	30 1/2	35	2	35
DA300	26 1/4	14	20 1/4	29 1/2	7	27 3/4	33 1/2	2	33 1/2	38	2	38
DA350	25 3/4	15	19 1/4	28 3/4	8	26 3/4	32 3/4	2	32 3/4	37	2	37
DA400	26 3/4	18	18 3/4	30	9	27 1/2	34 1/2	3	34 1/4	39 1/2	2	39 1/2
DA500	30 1/2	23	20	33	14	29	37	8	36	41 1/2	2	41 1/2
DA600	28 3/4	23	18	31 1/2	14	27 1/2	35 3/4	7	34 3/4	40 1/2	2	40 1/2
DA650	31 3/4	24	20 1/4	33 3/4	15	29 1/2	37 3/4	8	36 1/2	42 1/2	2	42 1/2

