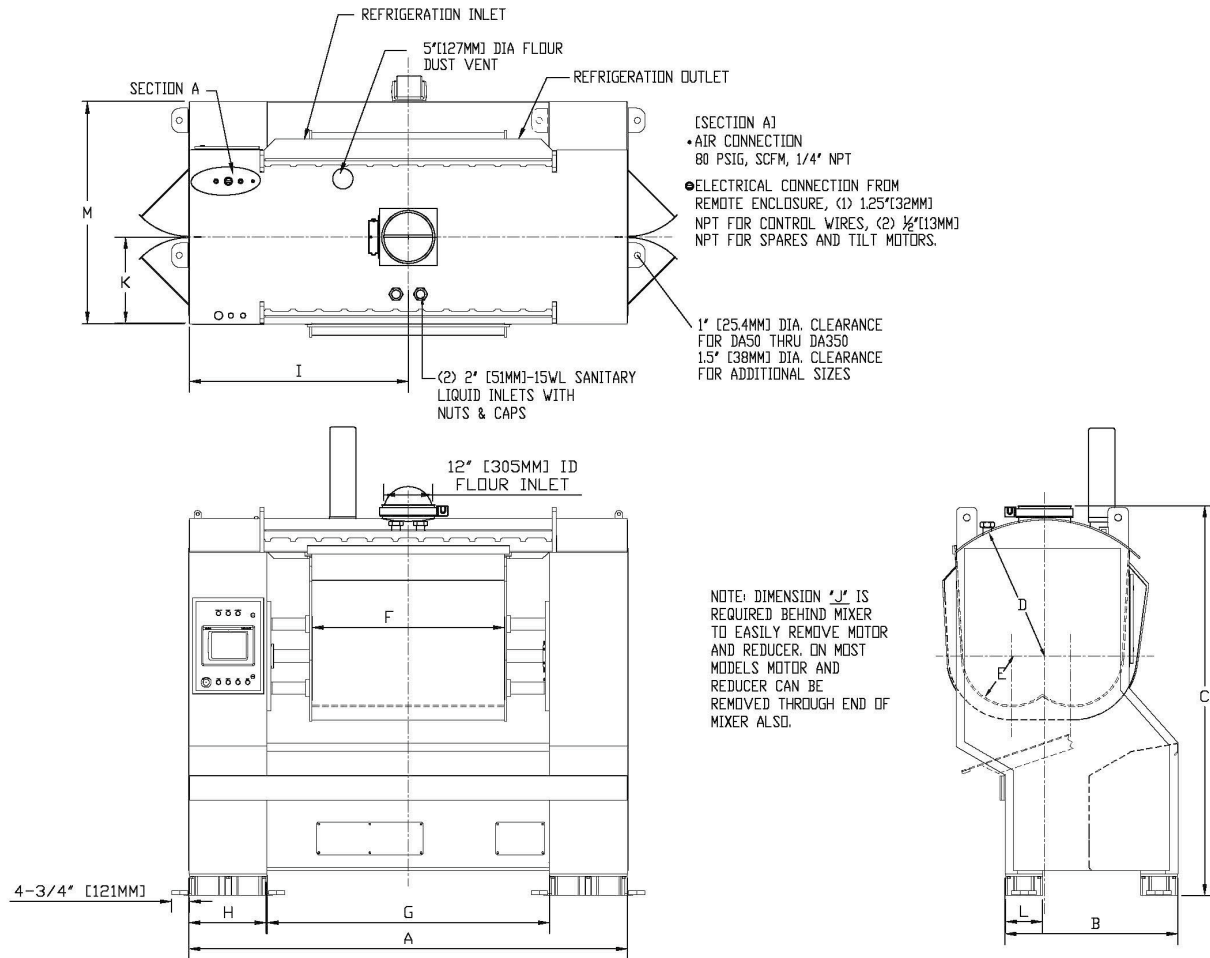


# Double Arm Mixer - Extended Frame Spec Sheet (Metric)



## DIMENSIONS (Millimeters)

Model	A	B	C	D	E	F	G	H	I	J	K	L
DA50	2,134	1,067	2,096	699	216	711	1,168	483	1,067	660	533	152
DA100	2,134	1,067	2,184	762	305	711	1,168	483	1,067	660	533	152
DA150	2,311	1,067	2,184	762	305	889	1,346	483	1,156	660	533	229
DA200	2,667	1,067	2,375	838	305	1,194	1,702	483	1,334	660	533	229
DA250	2,769	1,067	2,426	889	305	1,194	1,803	483	1,384	660	533	229
DA300	2,921	1,168	2,553	914	330	1,397	1,956	483	1,461	711	584	229
DA350	2,921	1,168	2,553	914	356	1,397	1,956	483	1,461	711	584	229
DA400	3,023	1,321	2,807	1,016	394	1,397	1,956	533	1,511	813	660	305
DA500	3,150	1,422	2,972	1,016	406	1,524	2,083	533	1,575	813	711	305
DA600	3,327	1,473	2,972	1,016	432	1,702	2,261	533	1,664	813	737	305
DA650	3,327	1,524	2,972	1,016	457	1,702	2,261	533	1,664	813	762	305

Dimensions are for reference only. Due to the continuous effort of Peerless Engineering to improve performance, dimensional data and specifications are subject to change without notice.

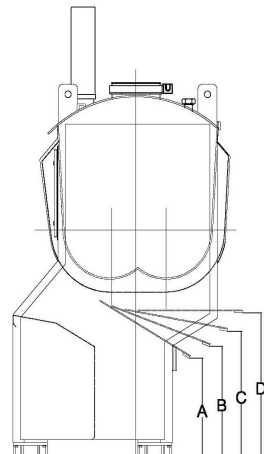


# Double Arm Mixer - Extended Frame Spec Sheet (Metric)

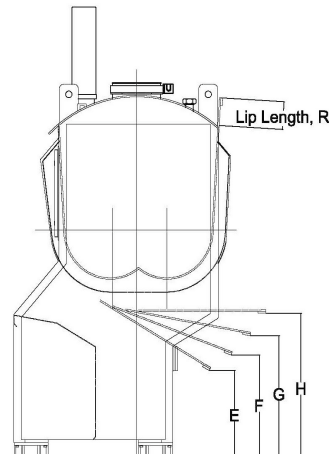
## SPECIFICATIONS

Model	Mixing Capacity (Kilos)	Total Bowl Volume (Liters)	Working Capacity (Liters.)	Drive Motor KW	Total Load (KVA)	Tilt Motor KW	Net Weights (Kilos)	Approx. Shipping Weight (Kilos)
DA50	205	388	286	8	12	4	4,354	4,535
DA100	410	694	513	11	20	4	4,535	4,717
DA150	500	866	643	15	25	4	4,717	4,898
DA200	680	1,263	858	22	35	4	5,170	5,397
DA250	770	1,325	954	30	45	4	5,397	5,624
DA300	930	1,770	1,175	37	55	4	5,692	5,941
DA350	1,065	1,849	1,297	45	65	4	6,190	6,440
DA400	1,180	2,271	1,535	56	80	5.5	9,569	9,887
DA500	1,500	2,721	1,926	75	105	5.5	10,227	10,567
DA600	1,815	3,313	2,347	93	130	5.5	11,156	11,519
DA650	1,995	3,441	2,526	93	130	5.5	11,565	11,927

Tilt Height with Standard 51MM Lip



Tilt Height with Extended Lip



(Millimeters)

Tilt Angle	120°				110°			100°			90°	
Dimension	A	R	E	B	R	F	C	R	G	D	R	H
DA50	622	356	470	686	229	622	768	102	762	864	51	864
DA100	546	406	368	603	254	533	686	127	673	775	51	775
DA150	546	406	368	603	254	533	686	127	673	775	51	775
DA200	610	330	470	686	152	648	787	51	787	889	51	889
DA250	584	254	483	667	102	648	775	517	775	889	51	889
DA300	667	356	514	749	178	705	851	51	851	965	51	965
DA350	654	381	489	730	203	679	832	51	832	940	51	940
DA400	679	457	476	762	229	699	876	76	870	1,003	51	1,003
DA500	775	584	508	838	356	737	940	203	914	1,054	51	1,054
DA600	730	584	457	800	356	699	908	178	883	1,029	51	1,029
DA650	794	610	514	857	381	749	959	203	927	1,080	51	1,080

