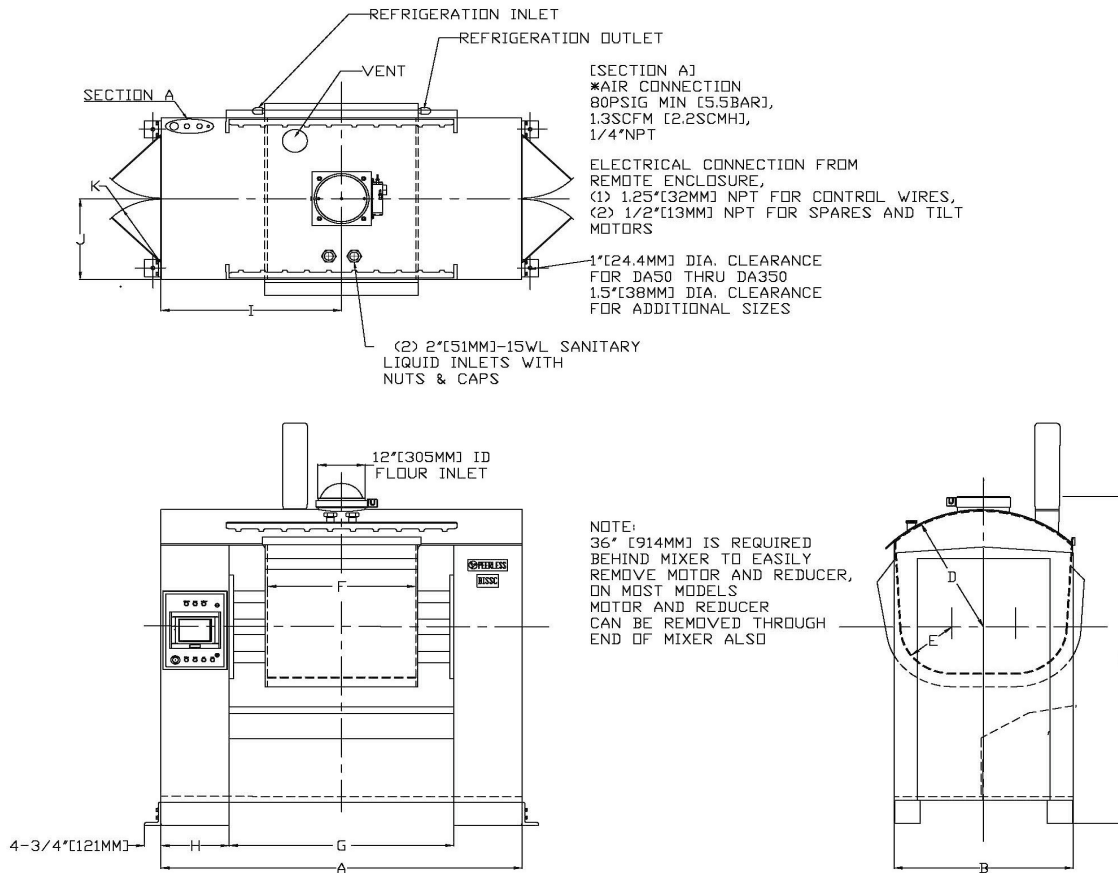


Double Arm Mixer - Spec Sheet (Imperial)



DIMENSIONS (Inches)

| Model | A | B | C | D | E | F | G | H | I | J | K |
|-------|-----|----|---------|--------|--------|----|----|----|--------|----|----|
| DA50 | 84 | 42 | 82 1/2 | 27 1/2 | 8 1/2 | 28 | 46 | 19 | 42 | 21 | 19 |
| DA100 | 84 | 42 | 86 | 30 | 12 | 28 | 46 | 19 | 42 | 21 | 19 |
| DA150 | 91 | 42 | 86 | 30 | 12 | 35 | 53 | 19 | 45 1/2 | 21 | 19 |
| DA200 | 105 | 42 | 93 1/2 | 33 | 12 | 47 | 67 | 19 | 52 1/2 | 21 | 19 |
| DA250 | 109 | 42 | 95 1/2 | 35 | 12 | 47 | 71 | 19 | 54 1/2 | 21 | 19 |
| DA300 | 115 | 46 | 100 1/2 | 36 | 13 | 55 | 77 | 19 | 57 1/2 | 23 | 21 |
| DA350 | 115 | 46 | 100 1/2 | 36 | 14 | 55 | 77 | 19 | 57 1/2 | 23 | 21 |
| DA400 | 119 | 52 | 110 1/2 | 40 | 15 1/2 | 55 | 77 | 21 | 59 1/2 | 26 | 24 |
| DA500 | 130 | 56 | 118 | 40 | 16 | 60 | 82 | 24 | 62 | 28 | 26 |
| DA600 | 139 | 58 | 120 | 42 | 17 | 67 | 89 | 25 | 62 1/2 | 29 | 27 |
| DA650 | 139 | 60 | 122 | 44 | 18 | 67 | 89 | 25 | 65 1/2 | 30 | 28 |

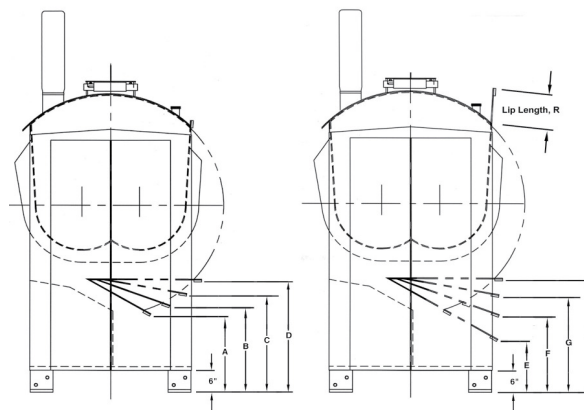
Dimensions are for reference only. Due to the continuous effort of Peerless Engineering to improve performance, dimensional data and specifications are subject to change without notice.



Double Arm Mixer - Spec Sheet (Imperial)

SPECIFICATIONS

| Model | Mixing Capacity (Pounds) | Total Bowl Volume (Cu. Ft.) | Working Volume (Cu.Ft.) | Drive Motor H.P. | Total Load (KVA) | Single Cylinder Tilt Net Weights (lbs.) | Motor H.P. | Approx. Shipping Weight (lbs.) |
|-------|--------------------------|-----------------------------|-------------------------|------------------|------------------|---|------------|--------------------------------|
| DA50 | 500 | 17 | 10 | 10 | 12 | 5 | 9,600 | 10,000 |
| DA100 | 800 | 24 | 17 | 15 | 20 | 5 | 10,000 | 10,400 |
| DA150 | 1,100 | 34 | 22 | 20 | 25 | 5 | 10,400 | 10,800 |
| DA200 | 1,400 | 44 | 29 | 30 | 35 | 5 | 11,400 | 11,900 |
| DA250 | 1,700 | 52 | 34 | 40 | 45 | 5 | 11,900 | 12,400 |
| DA300 | 2,000 | 65 | 41 | 50 | 55 | 5 | 12,550 | 13,100 |
| DA350 | 2,300 | 65 | 45 | 60 | 65 | 5 | 13,650 | 14,200 |
| DA400 | 2,800 | 86 | 56 | 70 | 80 | 7.5 | 21,100 | 21,800 |
| DA500 | 3,300 | 94 | 66 | 100 | 105 | 7.5 | 22,550 | 23,300 |
| DA600 | 4,000 | 119 | 80 | 125 | 130 | 7.5 | 24,600 | 25,400 |
| DA650 | 4,300 | 122 | 86 | 125 | 130 | 7.5 | 25,500 | 26,300 |



Tilt Height with Standard 2" Lip

Tilt Height with Extended Lip

| Tilt Angle | 120° | | | 110° | | | 100° | | | 90° | | |
|------------|--------|----|--------|--------|----|--------|--------|---|--------|--------|---|--------|
| Dimension | A | R | E | B | R | F | C | R | G | D | R | H |
| DA50 | 24 1/2 | 14 | 18 1/2 | 27 | 9 | 24 1/2 | 30 1/4 | 4 | 30 | 34 | 2 | 34 |
| DA100 | 21 1/2 | 16 | 14 1/2 | 23 3/4 | 10 | 21 | 27 | 5 | 26 1/2 | 30 1/2 | 2 | 30 1/2 |
| DA150 | 21 1/2 | 16 | 14 1/2 | 23 3/4 | 10 | 21 | 27 | 5 | 26 1/2 | 30 1/2 | 2 | 30 1/2 |
| DA200 | 24 | 13 | 18 1/2 | 27 | 6 | 25 1/2 | 31 | 2 | 31 | 35 | 2 | 35 |
| DA250 | 23 | 10 | 19 | 26 1/4 | 4 | 25 1/2 | 30 1/2 | 2 | 30 1/2 | 35 | 2 | 35 |
| DA300 | 26 1/4 | 14 | 20 1/4 | 29 1/2 | 7 | 27 3/4 | 33 1/2 | 2 | 33 1/2 | 38 | 2 | 38 |
| DA350 | 25 3/4 | 15 | 19 1/4 | 28 3/4 | 8 | 26 3/4 | 32 3/4 | 2 | 32 3/4 | 37 | 2 | 37 |
| DA400 | 25 1/2 | 18 | 19 1/2 | 31 | 9 | 28 1/2 | 35 1/4 | 3 | 35 | 40 | 2 | 40 |
| DA500 | 34 | 23 | 27 1/2 | 36 3/4 | 15 | 32 1/4 | 40 1/2 | 8 | 39 1/2 | 45 | 2 | 45 |
| DA600 | 36 1/4 | 23 | 25 3/4 | 39 1/4 | 14 | 35 | 43 1/2 | 7 | 42 1/2 | 48 | 2 | 48 |
| DA650 | 34 1/2 | 24 | 23 1/2 | 37 3/4 | 14 | 33 1/2 | 42 | 6 | 41 1/2 | 47 | 2 | 47 |

•Mixing capacity calculated using dough density of 50 lbs per cubic ft
 •HP calculated using 40 rpm @ 50 or 60 Hz.

