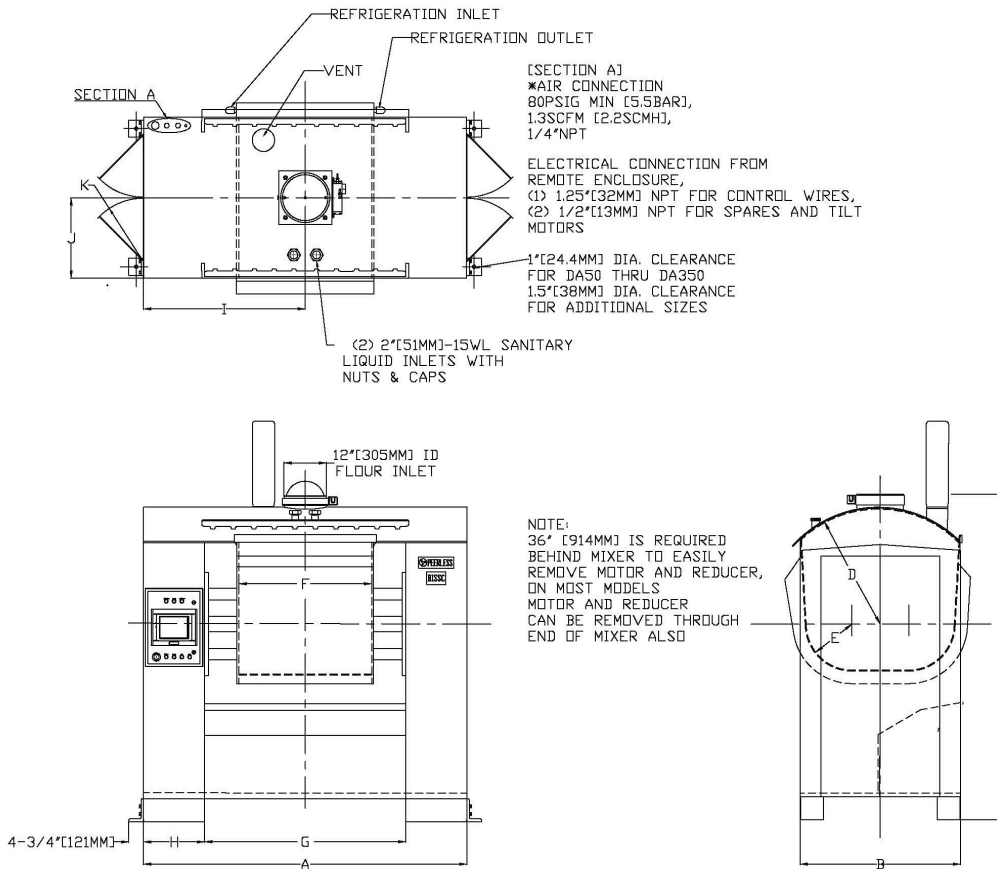


Double Arm Mixer - Spec Sheet (Metric)



DIMENSIONS (Millimeters)

Model	A	B	C	D	E	F	G	H	I	J	K
DA50	2,134	1,067	2,096	699	216	711	1,168	483	1,067	533	483
DA100	2,134	1,067	2,184	762	305	711	1,168	483	1,067	533	483
DA150	2,311	1,067	2,184	762	305	889	1,346	483	1,156	533	483
DA200	2,667	1,067	2,375	838	305	1,194	1,702	483	1,334	533	483
DA250	2,769	1,067	2,426	889	305	1,194	1,803	483	1,384	533	483
DA300	2,921	1,168	2,553	914	330	1,397	1,956	483	1,461	584	533
DA350	2,921	1,168	2,553	914	356	1,397	1,956	483	1,461	584	533
DA400	3,023	1,321	2,807	1,016	394	1,397	1,956	533	1,511	660	610
DA500	3,302	1,422	2,997	1,016	406	1,524	2,083	610	1,575	711	660
DA600	3,531	1,473	3,048	1,067	432	1,702	2,261	635	1,588	737	686
DA650	3,531	1,524	3,099	1,118	457	1,702	2,261	635	1,664	762	711

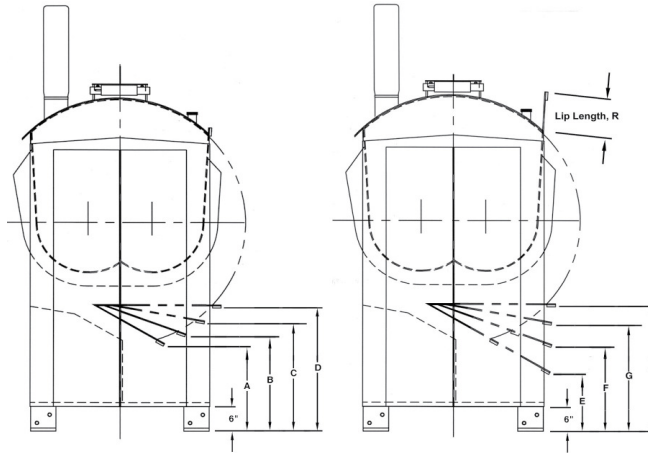
Dimensions are for reference only. Due to the continuous effort of Peerless Engineering to improve performance, dimensional data and specifications are subject to change without notice.



Double Arm Mixer - Spec Sheet (Metric)

SPECIFICATIONS

Model	Mixing Capacity (Kilos)	Total Bowl Volume (Liters)	Working Volume (Liters.)	Drive Motor KW	Total Load (KVA)	Single Cylinder Tilt Motor KW	Net Weights (Kilos)	Approx. Shipping Weight (Kilos)
DA50	227	470	294	8	12	4	4,354	4,535
DA100	363	674	490	11	20	4	4,535	4,717
DA150	500	963	620	15	25	4	4,717	4,898
DA200	635	1,249	833	22	35	4	5,170	5,397
DA250	770	1,478	974	30	45	4	5,397	5,624
DA300	907	1,846	1,150	37	55	4	5,692	5,941
DA350	1,043	1,826	1,277	45	65	4	6,190	6,440
DA400	1,270	2,438	1,597	56	80	6	9,569	9,887
DA500	1,500	2,662	1,838	75	105	6	10,227	10,567
DA600	1,815	3,375	2,260	93	130	6	11,156	11,519
DA650	1,950	3,460	2,447	93	130	6	11,565	11,927



(Millimeters)

Tilt Height with Standard 51MM Lip

Tilt Height with Extended Lip

Tilt Angle	120°				110°				100°				90°	
Dimension	A	R	E	B	R	F	C	R	G	D	R	H		
DA50	622	356	470	686	229	622	768	102	762	864	51	864		
DA100	546	406	368	603	254	533	686	127	673	775	51	775		
DA150	546	406	368	603	254	533	686	127	673	775	51	775		
DA200	610	330	470	686	152	648	787	51	787	889	51	889		
DA250	584	254	483	667	102	648	775	51	775	889	51	889		
DA300	667	356	514	749	178	705	851	51	851	965	51	965		
DA350	654	381	489	730	203	679	832	51	832	940	51	940		
DA400	648	457	495	787	229	978	895	76	889	1016	51	1016		
DA500	864	584	699	933	381	819	1029	203	1003	1143	51	1143		
DA600	921	584	654	997	356	889	1105	178	1080	1219	51	1219		
DA650	876	610	597	959	356	851	1067	152	1054	1194	51	1194		

▪Mixing capacity calculated using dough density @ .80 Kgs/liter

▪KW based off 40 RPM @ 50 or 60 hz

