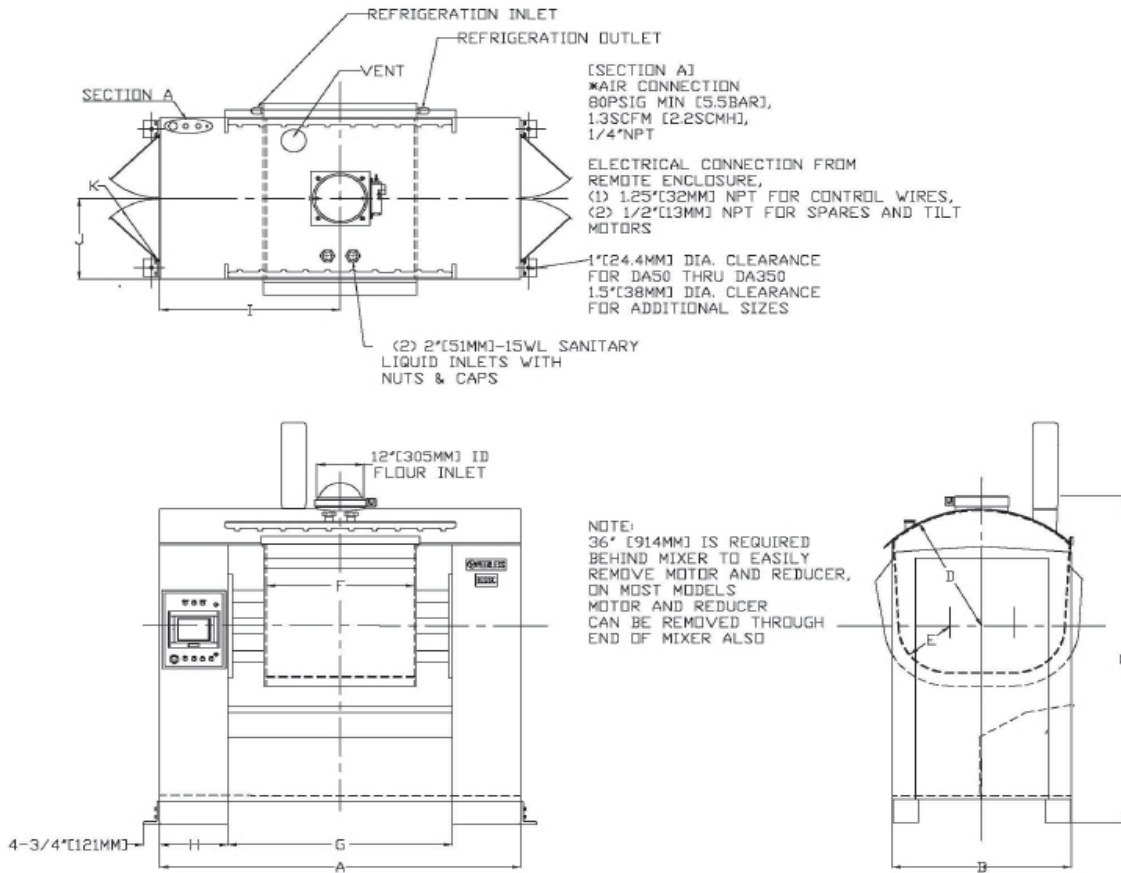


Double Arm Mixer - Spec Sheet (Imperial)



DIMENSIONS (Inches)

Model	A	B	C	D	E	F	G	H	I	J	K
DA50	84	42	82 1/2	27 1/2	8 1/2	28	46	19	42	21	19
DA100	84	42	86	30	12	28	46	19	42	21	19
DA150	91	42	86	30	12	35	53	19	45 1/2	21	19
DA200	105	42	93 1/2	33	12	47	67	19	52 1/2	21	19
DA250	109	42	95 1/2	35	12	47	71	19	54 1/2	21	19
DA300	115	46	100 1/2	36	13	55	77	19	57 1/2	23	21
DA350	115	46	100 1/2	36	14	55	77	19	57 1/2	23	21
DA400	119	52	110 1/2	40	15 1/2	55	77	21	59 1/2	26	24
DA500	130	56	118	40	16	60	82	24	62	28	26
DA600	139	58	120	42	17	67	89	25	62 1/2	29	27
DA650	139	60	122	44	18	67	89	25	65 1/2	30	28

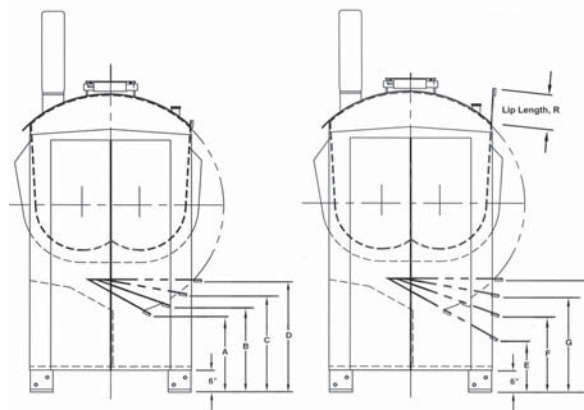
Dimensions are for reference only. Due to the continuous effort of Peerless Engineering to improve performance, dimensional data and specifications are subject to change without notice.



Double Arm Mixer - Spec Sheet (Imperial)

SPECIFICATIONS

Model	Mixing Capacity (Pounds)	Total Bowl Volume (Cu. Ft.)	Working Volume (Cu. Ft.)	Drive Motor H.P.	Single Cylinder Tilt Net Weight (lbs.)	Motor H.P.	Approx. Shipping Weight (lbs.)
DA50	450	17	10	10	5	9,600	10,000
DA100	900	24	17	15	5	10,000	10,400
DA150	1,100	34	22	20	5	10,400	10,800
DA200	1,500	44	29	30	5	11,400	11,900
DA250	1,700	52	34	40	5	11,900	12,400
DA300	2,050	65	41	50	5	12,550	13,100
DA350	2,350	65	45	60	5	13,650	14,200
DA400	2,600	86	56	75	7.5	21,100	21,800
DA500	3,300	94	66	100	7.5	22,550	23,300
DA600	4,000	119	80	125	7.5	24,600	25,400
DA650	4,400	122	86	125	7.5	25,500	26,300



Tilt Height with Standard 2" Lip Tilt Height with Extended Lip

Tilt Angle	120°			110°			100°			90°		
Dimension	A	R	E	B	R	F	C	R	G	D	R	H
DA50	24 1/2	14	18 1/2	27	9	24 1/2	30 1/4	4	30	34	2	34
DA100	21 1/2	16	14 1/2	23 3/4	10	21	27	5	26 1/2	30 1/2	2	30 1/2
DA150	21 1/2	16	14 1/2	23 3/4	10	21	27	5	26 1/2	30 1/2	2	30 1/2
DA200	24	13	18 1/2	27	6	25 1/2	31	2	31	35	2	35
DA250	23	10	19	26 1/4	4	25 1/2	30 1/2	2	30 1/2	35	2	35
DA300	26 1/4	14	20 1/4	29 1/2	7	27 3/4	33 1/2	2	33 1/2	38	2	38
DA350	25 3/4	15	19 1/4	28 3/4	8	26 3/4	32 3/4	2	32 3/4	37	2	37
DA400	25 1/2	18	19 1/2	31	9	28 1/2	35 1/4	3	35	40	2	40
DA500	34	23	27 1/2	36 3/4	15	32 1/4	40 1/2	8	39 1/2	45	2	45
DA600	36 1/4	23	25 3/4	39 1/4	14	35	43 1/2	7	42 1/2	48	2	48
DA650	34 1/2	24	23 1/2	37 3/4	14	33 1/2	42	6	41 1/2	47	2	47

•Mixing capacity calculated using dough density of 50 lbs per cubic ft
 •HP calculated using 40 rpm @ 50 or 60 Hz.

