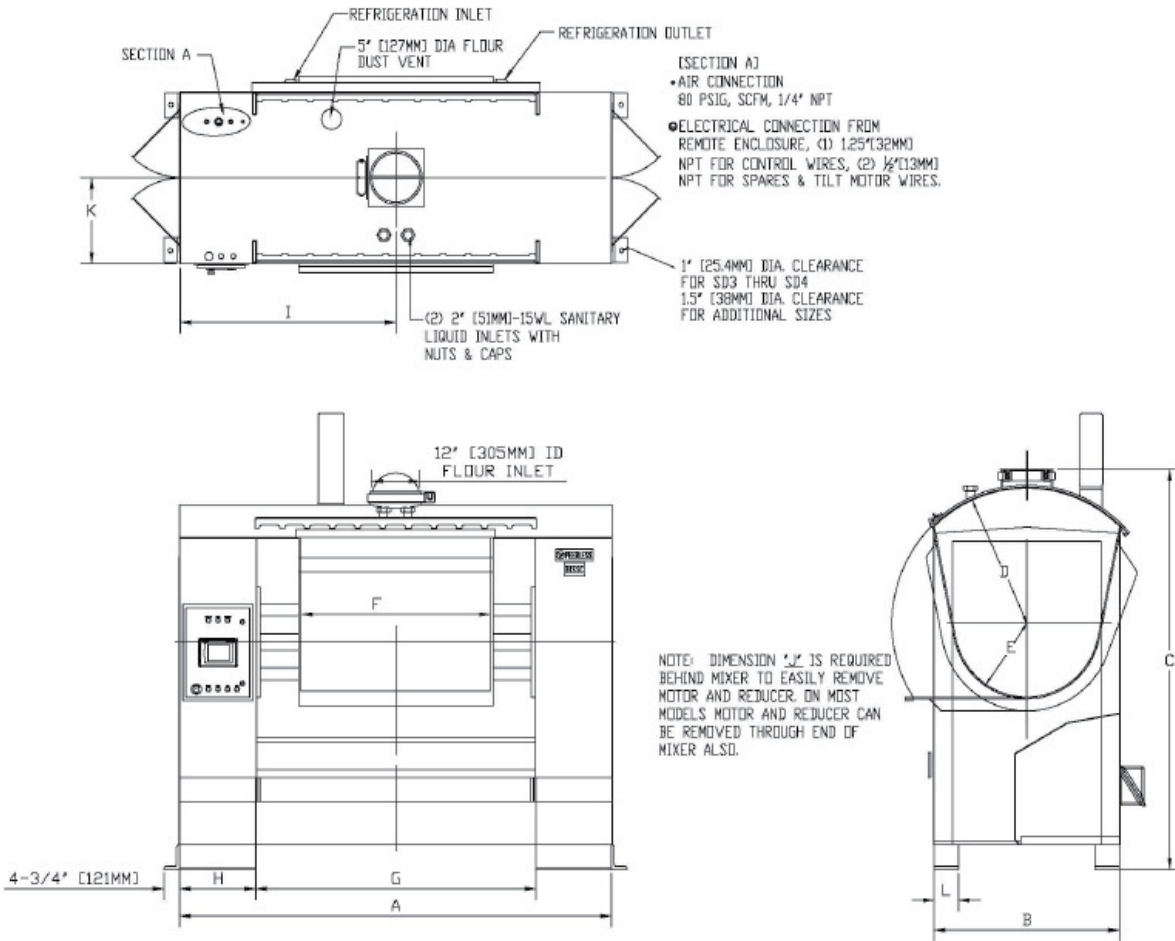


# Roller Bar Mixer - Heavy Duty Spec Sheet (Metric)



## DIMENSIONS (Millimeters)

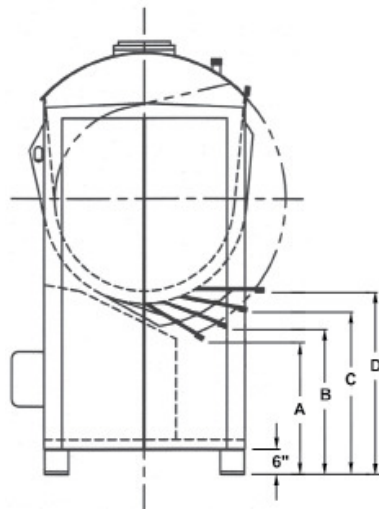
Model	A	B	C	D	E	F	G	H	I	J	K	L
HS10	1,168	1,143	432	508	1,016	2,457.0	838	1,372	2,743	711	1,753	457
HS13	1,168	1,270	432	508	1,016	2,457.0	838	1,435.0	2,870	711	1,880	508
HS16	1,270	1,422	432	559	1,118	2,686.0	889	1,511.0	3,023	813	2,032	508
HS20	1,270	1,422	432	559	1,118	2,686.0	889	1,511.0	3,023	813	2,032	559
HS24	1,372	1,702	432	572	1,143	2,686.0	889	1,651	3,302	813	2,311	559
HS28	1,372	1,702	432	572	1,143	2,762.0	965	1,651	3,302	813	2,311	584

Dimensions are for reference only. Due to the continuous effort of Peerless Engineering to improve performance, dimensional data and specifications are subject to change without notice.

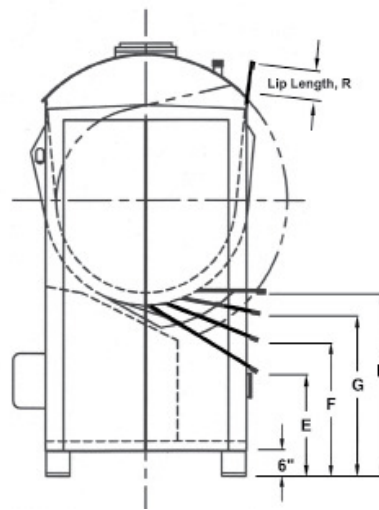


# Roller Bar Mixer - Heavy Duty Spec Sheet (Metric)

Model	Mixing Capacity (Kilos)	Working Capacity (Liters).	Drive Motor KW.	Total Load (KVA)	Tilt Motor KW.	Net Weights (Kilos)	Approx. Shipping Weight (Kilos)
HS10	454	855	45/22.5	65	4	5,669	5,896
HS13	590	1,169	56/28	80	4	6,803	7,120
HS16	726	1,348	75/37.5	105	4	7,937	8,254
HS20	907	1,594	93/46.5	130	4	8,617	8,934
HS24	1,088	1,968	121/56	155	4	9,781	10,068
HS28	1,270	2,101	130.5/65	180	4	10,658	11,066
HS32	1,451	2,263	150/75	205	4	11,429	11,791



Tilt Height with Standard 2" Lip



Tilt Height with Extended Lip

Millimeters

Tilt Angle	120°		110°		100°		90°					
Dimension	A	R	E	B	R	F	C	R	G	D	R	H
HS10	737	330	572	819	178	762	921	51	914	1,041	51	1,041
HS13	711	381	514	787	229	705	876	12	876	991	51	991
HS16	857	381	660	940	229	864	1,041	76	1,041	1,168	51	1,168
HS20	832	457	591	908	279	806	1,003	127	984	1,118	51	1,118
HS24	832	508	559	908	330	787	1,003	178	972	1,118	76	1,118
HS28	768	432	546	857	254	768	953	102	953	1,092	76	1,092
HS32	768	432	540	857	229	768	959	127	940	1,080	51	1,080

