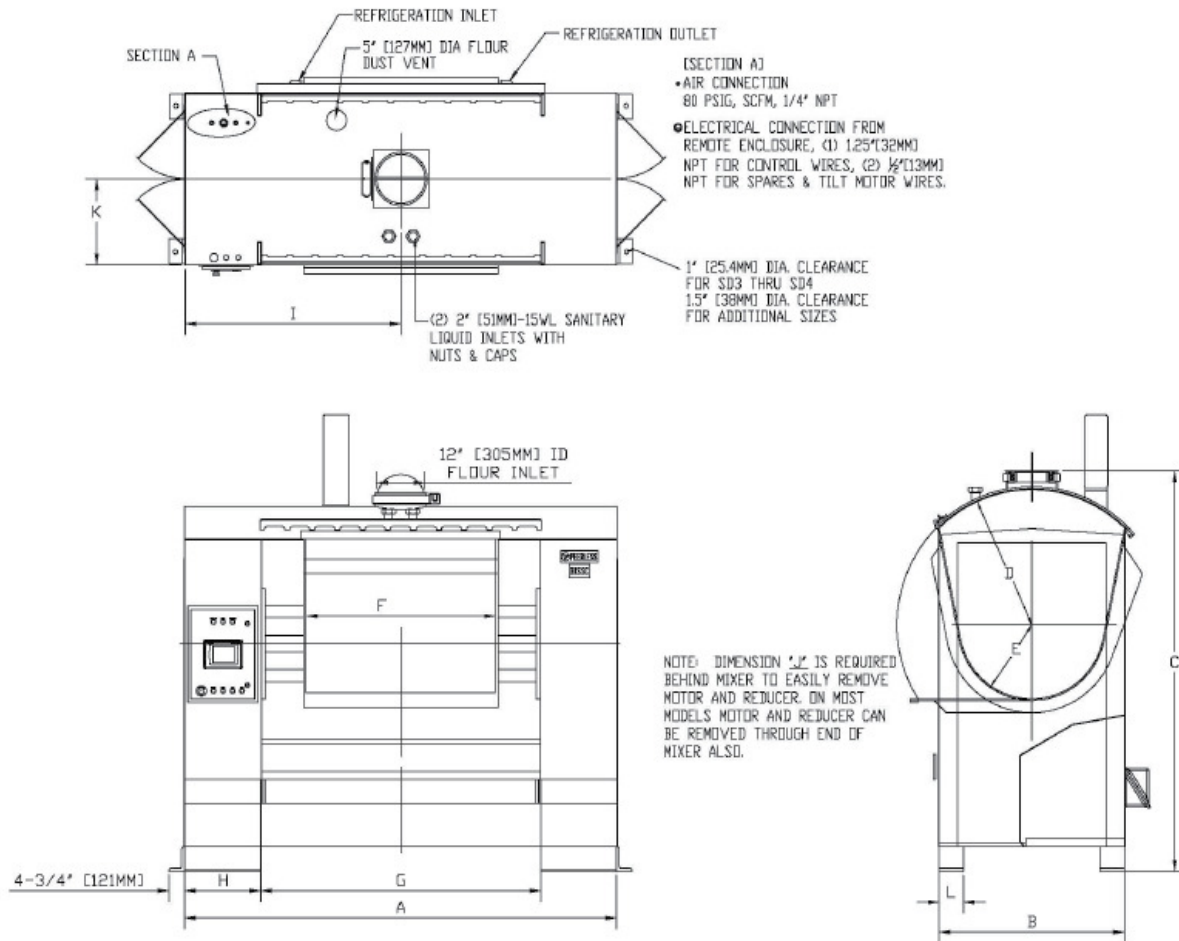


Roller Bar Mixer - Heavy Duty Spec Sheet (Imperial)



DIMENSIONS (Inches)

Model	A	B	C	D	E	F	G	H	I	J	K	L
HS10	46	45	17	20	40	96.8	33	54	108	108	69	18
HS13	46	50	17	20	40	96.8	33	56.5	113	113	74	20
HS16	50	56	17	22	44	105.8	35	59.5	119	119	80	20
HS20	50	56	17	22	44	105.8	35	59.5	119	119	80	22
HS24	54	67	17	22.5	45	105.8	35	65	130	130	91	22
HS28	54	67	17	22.5	45	108.8	38	65	130	130	91	23
HS32	54	67	19	22.5	45	108.8	38	67	134	134	91	24

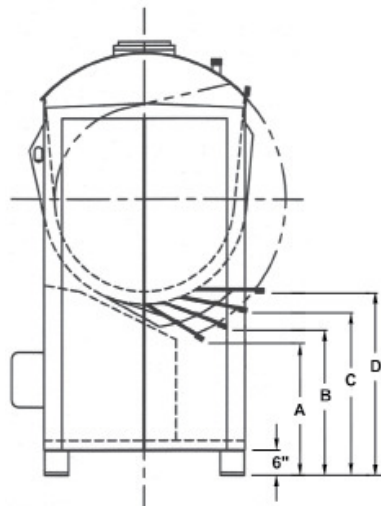
Dimensions are for reference only. Due to the continuous effort of Peerless Engineering to improve performance, dimensional data and specifications are subject to change without notice.



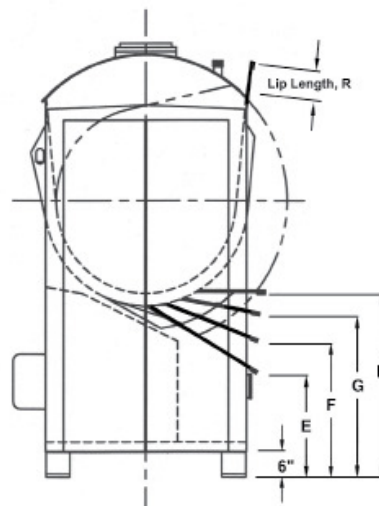
Roller Bar Mixer - Heavy Duty Spec Sheet (Imperial)

SPECIFICATIONS

Model	Mixing Capacity (Pounds)	Working Capacity Cu. Ft.	Drive Motor H.P.	Total Load (KVA)	Tilt Motor H.P.	Net Weights (lbs.)	Approx. Shipping Weight (lbs.)
HS10	1,000	30.2	60/30	65	5	12,500	13,000
HS13	1,300	41.3	75/37.5	80	5	15,000	15,700
HS16	1,600	47.6	100/50	105	5	17,500	18,200
HS20	2,000	56.3	125/62.5	130	5	19,000	19,700
HS24	2,400	69.5	150/75	155	5	21,500	22,200
HS28	2,800	74.2	175/87.5	180	5	23,500	24,400
HS32	3,200	79.9	200/100	205	5	25,200	26,000



Tilt Height with Standard 2" Lip



Tilt Height with Extended Lip

(Inches)	120°				110°			100°			90°	
Dimensions	A	R	E	B	R	F	C	R	G	D	R	H
HS10	29	13	22 1/2	32 1/4	7	30	36 1/4	2	36 1/4	41	2	41
HS13	28	15	20 1/4	31	9	27 3/4	34 1/2	4	34 1/2	39	2	39
HS16	33 3/4	15	26	37	9	34	41	3	41	46	2	46
HS20	32 3/4	18	23 1/4	35 3/4	11	31 3/4	39 1/2	5	38 3/4	44	2	44
HS24	32 3/4	20	22	35 3/4	13	31	39 1/2	7	38 1/4	44	3	44
HS28	30 1/4	17	21 1/2	33 3/4	10	30 1/4	37 1/2	4	37 1/2	43	2	42 1/2

