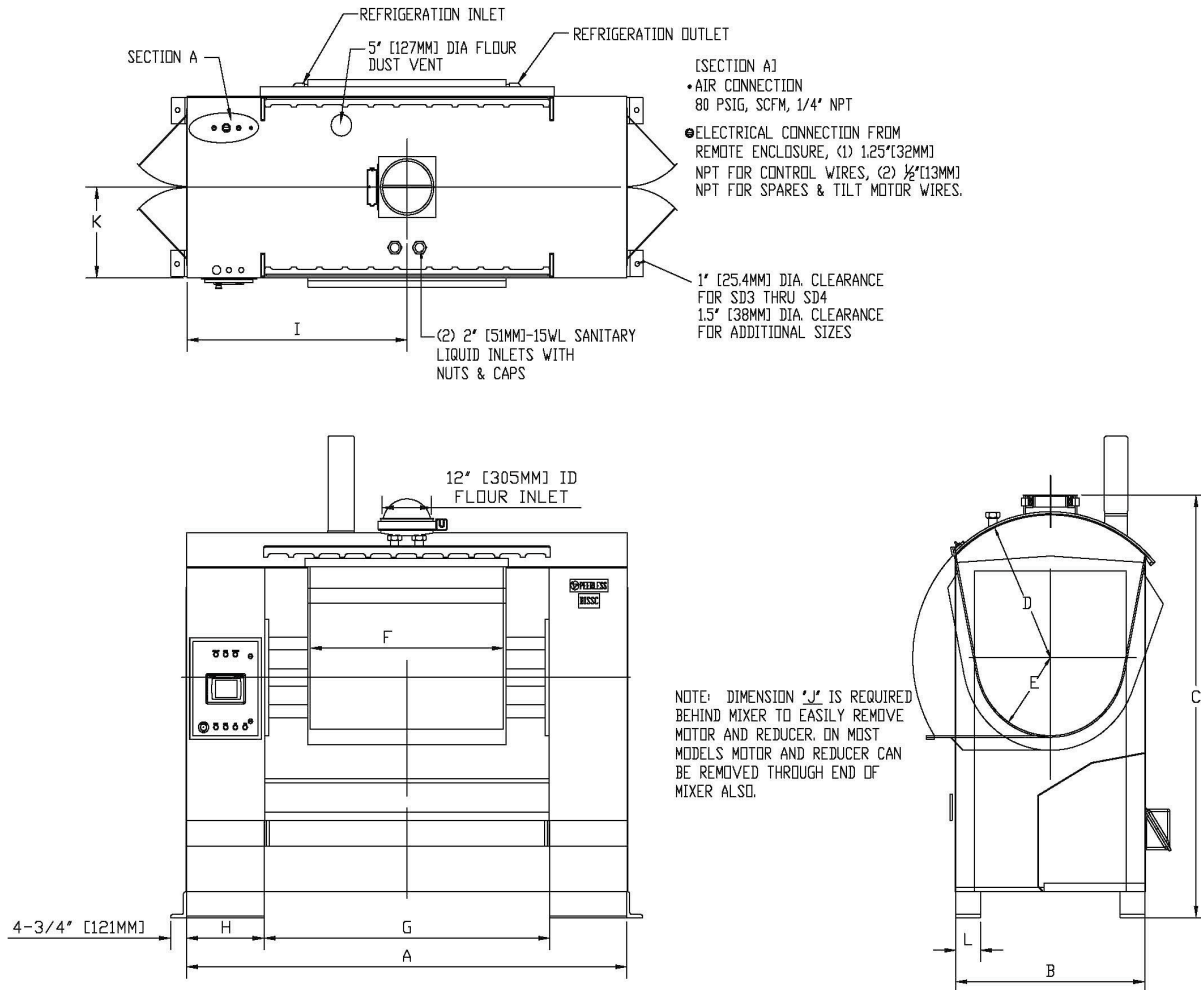


Roller Bar Mixer - Spec Sheet (Metric)



DIMENSIONS (Millimeters)

Model	A	B	C	D	E	F	G	H	I	J	K	L
HS10	2,718	1,168	2,464	838	457	1,143	1,753	483	1,359	711	584	229
HS13	2,845	1,270	2,692	838	508	1,270	1,880	483	1,422	711	635	229
HS16	2,997	1,270	2,692	889	508	1,422	2,032	483	1,499	813	635	305
HS20	2,997	1,372	2,692	889	559	1,422	2,032	483	1,499	813	686	305
HS24	3,277	1,372	2,692	889	559	1,702	2,311	483	1,638	813	686	305
HS28	3,378	1,372	2,946	965	584	1,702	2,311	533	1,689	813	686	305
HS32	3,378	1,372	2,946	965	610	1,702	2,311	533	1,689	813	686	305

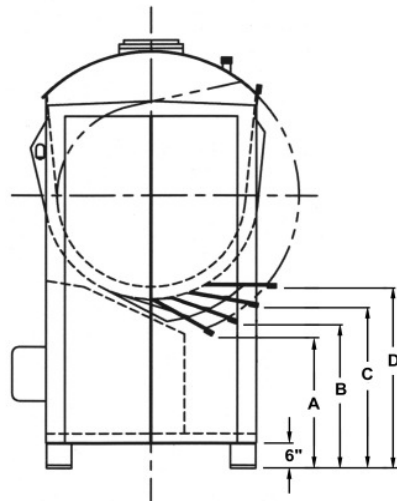
Dimensions are for reference only. Due to the continuous effort of Peerless Engineering to improve performance, dimensional data and specifications are subject to change without notice.



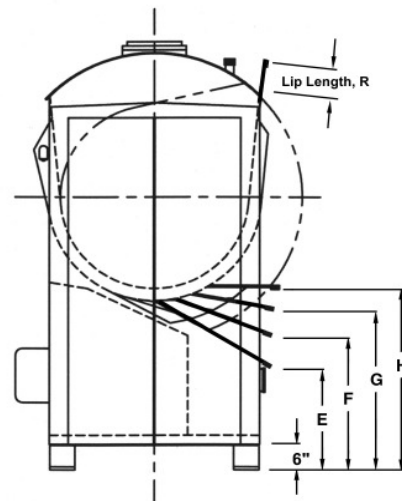
Roller Bar Mixer - Spec Sheet (Metric)

Specifications

Model	Mixing Capacity (Kilos)	Working Capacity (Liters).	Drive Motor KW.	Total Load (KVA)	Tilt Motor KW.	Net Weights (Kilos)	Approx. Shipping Weight (Kilos)
HS10	454	855	37/18.5	55	4	5,442	5,669
HS13	590	1,169	45/22.5	65	4	6,485	6,803
HS16	726	1,348	56/28	80	4	7,619	7,937
HS20	907	1,594	75/37.5	105	4	8,299	8,617
HS24	1,088	1,968	93/46.5	130	4	9,433	9,751
HS28	1,270	2,101	112/56	155	4	10,249	10,658
HS32	1,451	2,263	128/64	180	4	10,975	11,338



Tilt Height with Standard 51MM Lip



Tilt Height with Extended Lip

(Millimeters)

Tilt Angle	120°		110°		100°		90°					
Dimension	A	R	E	B	R	F	C	R	G	D	R	H
HS10	737	330	572	819	178	762	921	51	914	1,041	51	1,041
HS13	711	381	514	787	229	705	876	12	876	991	51	991
HS16	857	381	660	940	229	864	1,041	76	1,041	1,168	51	1,168
HS20	832	457	591	908	279	806	1,003	127	984	1,118	51	1,118
HS24	832	508	559	908	330	787	1,003	178	972	1,118	76	1,118
HS28	768	432	546	857	254	768	953	102	953	1,092	76	1,092
HS32	768	432	540	857	229	768	959	127	940	1,080	51	1,080