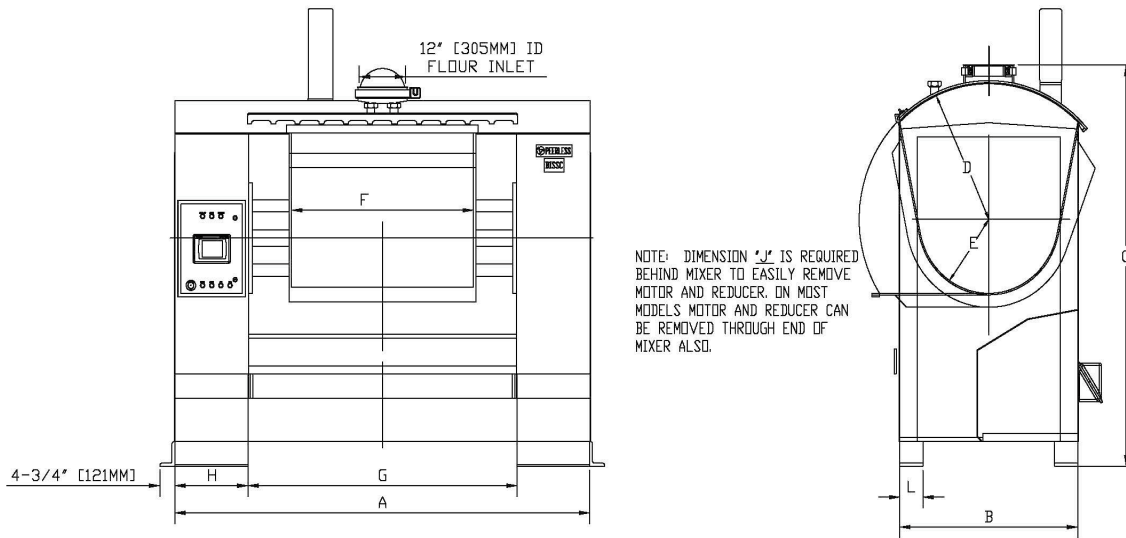
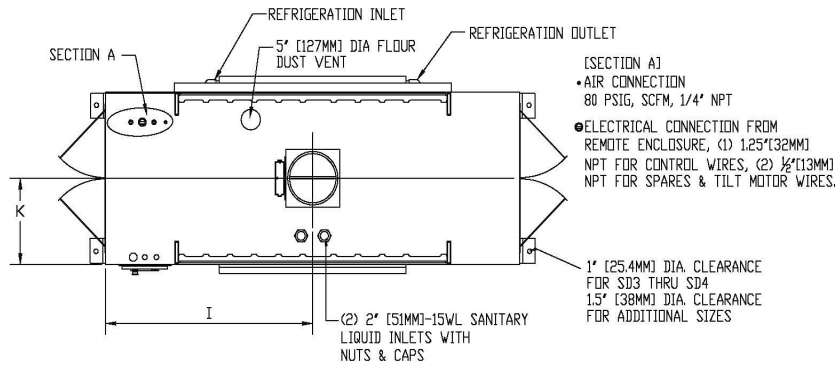


Single Sigma Mixer - Heavy Duty Spec Sheet (Imperial)



DIMENSIONS (Inches)

Model	A	B	C	D	E	F	G	H	I	J	K	L
SD5	46	40	17	20	40	96 3/4	33	51 1/2	103	28	64	18
SD6	46	45	17	20	40	96 3/4	33	54	108	28	69	18
SD7	46	50	17	20	40	96 3/4	33	56 1/2	113	28	74	20
SD8	50	56	17	22	44	105 3/4	35	59 1/2	119	32	80	20
SD9	50	56	17	22	44	108 3/4	38	59 1/2	119	32	80	22
SD10	54	67	17	22 1/2	45	108 3/4	38	65	130	32	91	22
SD11	54	67	17	22 1/2	45	108 3/4	38	65	130	32	91	23
SD12	54	67	19	22 1/2	45	108 3/4	38	67	134	32	91	24

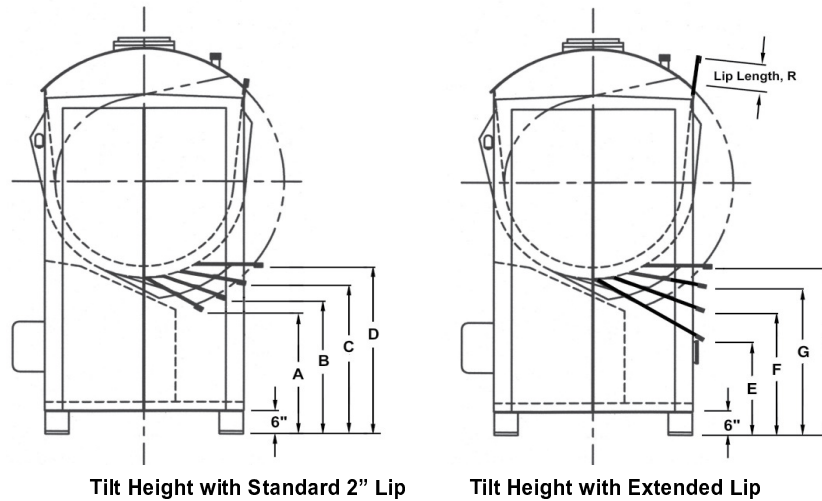
Dimensions are for reference only. Due to the continuous effort of Peerless Engineering to improve performance, dimensional data and specifications are subject to change without notice.



Single Sigma Mixer - Heavy Duty Spec Sheet (Imperial)

SPECIFICATIONS

Model	Mixing Capacity (Pounds)	Total Bowl Volume (Cu. Ft.)	Working Capacity (Cu.Ft.)	Drive Motor H.P.	Total Load (KVA)	Tilt Motor H.P.	Approx ,Net Weights (lbs.)	Approx. Shipping Weight (lbs.)
SD5	1,300	33.4	27.6	50	45	5	11,500	12,000
SD6	1,600	37.8	31.0	50	55	5	12,000	12,500
SD7	2,100	46.4	41.6	60	65	5	14,300	15,000
SD8	2,400	54.9	47.6	75	80	5	16,800	19,000
SD9	2,800	66.6	55.9	100	105	7.5	18,300	21,500
SD10	3,400	78.5	68.6	125	130	7.5	19,000	20,800
SD11	3,700	82.0	74.2	150	155	7.5	21,500	22,600
SD12	4,000	85.6	79.9	175	180	7.5	24,200	25,000



(Inches)

Tilt Angle	120°				110°				100°				90°	
Dimensions	A	R	E	B	R	F	C	R	G	D	R	H		
SD5	29 1/2	13	24 1/4	33	7	31 1/4	37 1/4	2	37 1/4	42	2	42		
SD6	29 1/2	13	24 1/4	33	7	31 1/4	37 1/4	2	37 1/4	42	2	42		
SD7	28 1/2	15	22 1/4	31 1/2	9	29 1/4	35 1/2	4	35	40	2	40		
SD8	34 1/2	15	28	37 3/4	9	35 1/2	42	3	42	47	2	47		
SD9	31 1/2	14	25 1/2	35	7	33 1/2	39 1/2	2	39 1/2	45	2	45		
SD10	31 1/2	15	25	35	8	33	39 1/2	2	39 1/2	45	2	45		
SD11	31	17	23 1/2	34 1/2	10	31 3/4	38 1/4	4	38 1/4	44	2	44		
SD12	30 1/2	17	22	33 3/4	9	30 3/4	38	5	37 1/2	43	2	43		

