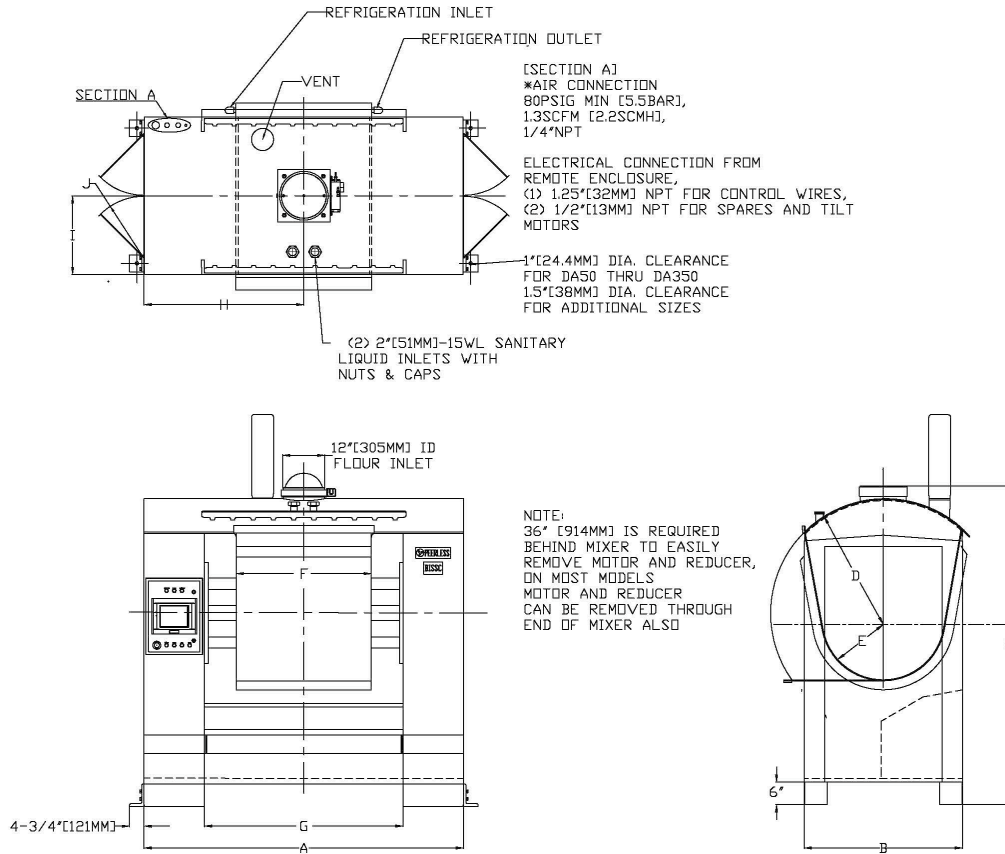


# Single Sigma Mixer - Spec Sheet (Metric)



## DIMENSIONS (Millimeters)

Model	A	B	C	D	E	F	G	H	I	J
SD3	2,388	1016	2,286	762	406	813	1,422	1,194	508	457
SD4	2,489	1016	2,286	762	457	914	1,524	1,245	508	457
SD5	2,591	1,168	2,464	838	457	1,016	1,626	1,295	584	533
SD6	2,718	1,168	2,464	838	457	1,143	1,753	1,359	584	533
SD7	2,845	1,168	2,515	889	508	1,270	1,880	1,422	584	533
SD8	2,997	1,270	2,692	889	508	1,422	2,032	1,499	635	584
SD9	2,997	1,270	2,769	965	559	1,422	2,032	1,499	635	584
SD10	3,277	1,372	2,769	965	559	1,702	2,311	1,638	686	635
SD11	3,378	1,372	2,921	1,067	584	1,702	2,311	1,689	686	635
SD12	3,378	1,372	2,972	1,067	610	1,702	2,311	1,689	686	635

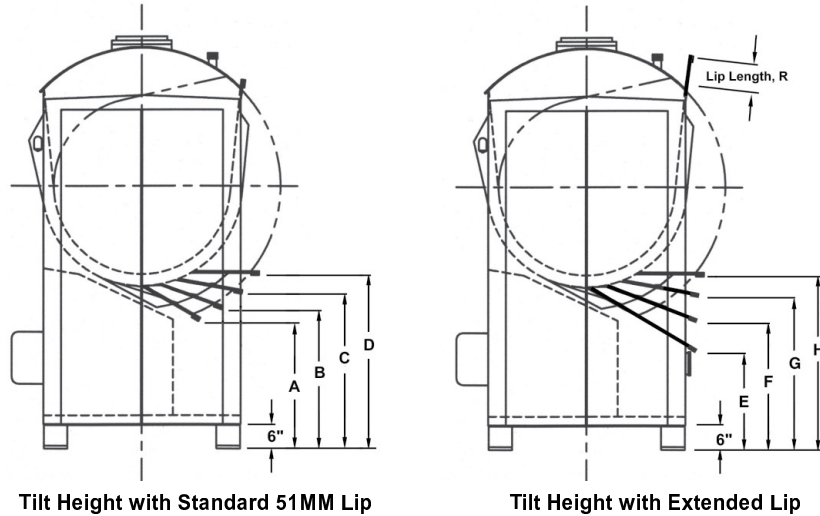
Dimensions are for reference only. Due to the continuous effort of Peerless Engineering to improve performance, dimensional data and specifications are subject to change without notice.



# Single Sigma Mixer - Spec Sheet (Metric)

## Specifications

Model	Mixing Capacity (Kilos)	Total Bowl Volume (Liters)	Working Capacity (Liters.)	Drive Motor KW	Total Load (KVA)	Tilt Motor KW	Net Weights (Kilos)	Approx. Shipping Weight (Kilos)
SD3	318	731	490	19	30	5	2,372	4,763
SD4	454	909	677	22	35	5	2,545	4,990
SD5	590	1,172	776	30	45	5	5,215	5,442
SD6	725	1,311	920	30	45	5	5,442	5,669
SD7	907	1,623	1,164	37	55	5	6,485	6,803
SD8	1,090	1,897	1,359	45	65	5	7,619	8,617
SD9	1,270	2,229	1,608	56	80	7.5	8,299	9,751
SD10	1,540	2,755	1,934	75	105	7.5	8,617	9,433
SD11	1,685	3,021	2,101	93	130	7.5	9,751	10,249
SD12	1,815	3,310	2,271	128	155	7.5	10,975	11,338



(Millimeters)

Tilt Angle	120°			110°			100°			90°		
Dimension	A	R	E	B	R	F	C	R	G	D	R	H
SD3	699	254	597	781	127	755.7	876	51	876	991	51	991
SD4	673	305	549	743	152	711	832	51	832	940	51	940
SD5	749	330	616	838	178	794	946	51	946	1067	51	1067
SD6	749	330	616	838	178	794	946	51	946	1067	51	1067
SD7	692	330	552	775	152	743	889	51	889	1016	51	1016
SD8	876	381	711	959	229	902	1067	76	1067	1194	51	1194
SD9	800	356	648	889	178	851	1003	51	1003	1143	51	1143
SD10	800	381	635	889	203	838	1003	51	1003	1143	51	1143
SD11	724	305	597	832	127	806	965	51	965	1118	76	1118
SD12	762	356	610	864	127	838	991	51	991	1143	51	1143

•Mixing capacity calculated using dough density @ .80 Kgs/liter  
 •KW based off 40 RPM @ 50 or 60 hz

