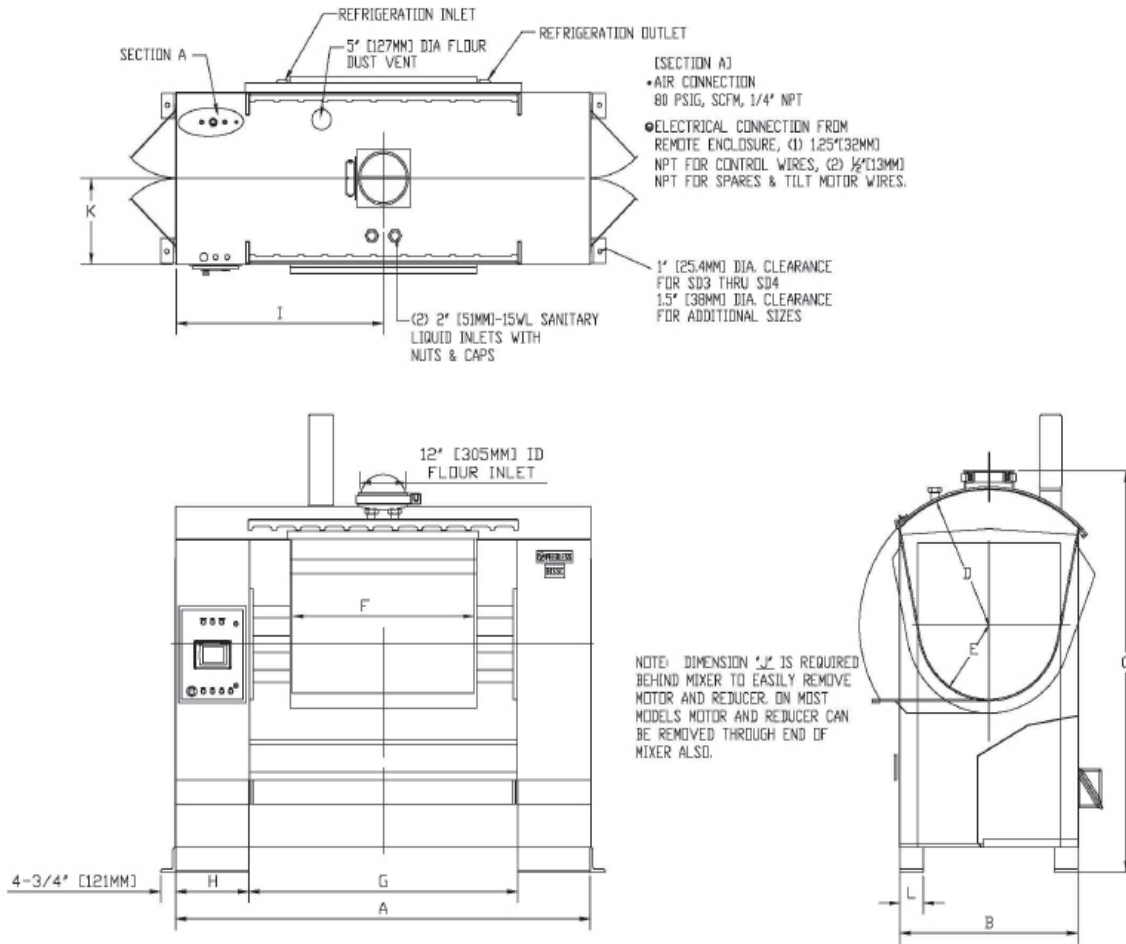


Single Sigma Mixer - Spec Sheet (Imperial)



DIMENSIONS (Inches)

Model	A	B	C	D	E	F	G	H	I	J	K	L
SD5	102	46	97	33	18	40	64	19	51	28	23	9
SD6	107	46	97	33	18	45	69	19	53 1/2	28	23	9
SD7	112	50	106	33	20	50	74	19	56	28	25	9
SD8	118	50	106	35	20	56	50	19	59	32	25	9
SD9	118	50	106	38	22	56	80	19	59	32	25	9
SD10	129	54	116	38	22	67	91	19	64 1/2	32	27	9
SD11	133	54	116	38	23	67	91	21	66 1/2	32	27	12
SD12	133	56	116	39	24	67	91	21	66 1/2	32	28	12

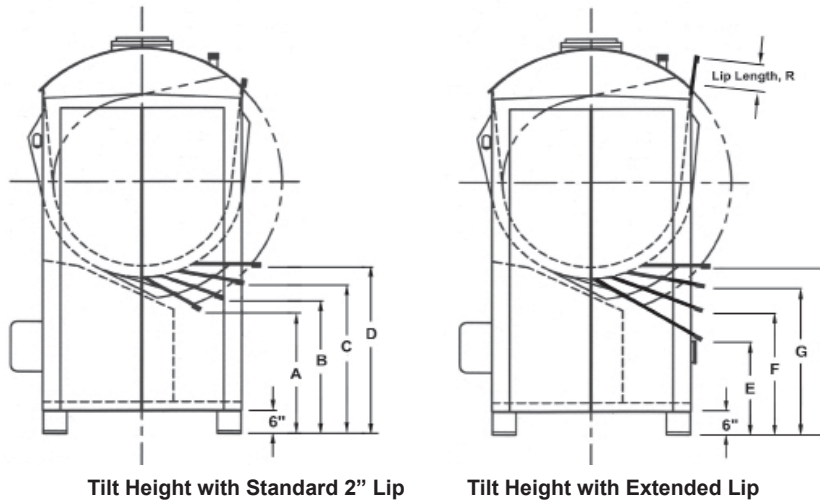
Dimensions are for reference only. Due to the continuous effort of Peerless Engineering to improve performance, dimensional data and specifications are subject to change without notice.



Single Sigma Mixer - Spec Sheet (Imperial)

Specifications

Model	Mixing Capacity (Pounds)	Total Bowl Volume (Cu. Ft.)	Working Capacity (Cu.Ft.)	Drive Motor H.P.	Total Load (KVA)	Tilt Motor H.P.	Net Motor Weights (lbs.)	Approx. Shipping Weight (lbs.)
SD5	1,300	33.4	27.6	40	45	3	11,500	12,000
SD6	1,600	37.8	31.0	40	45	3	12,000	12,500
SD7	2,100	46.4	41.6	50	55	5	14,300	15,000
SD8	2,400	54.9	47.6	60	65	5	16,800	19,000
SD9	2,800	66.6	55.9	75	80	7.5	18,300	21,500
SD10	3,400	78.5	68.6	100	105	7.5	19,000	20,800
SD11	3,700	82.0	74.2	125	130	7.5	21,500	22,600
SD12	4,000	85.6	79.9	150	155	7.5	24,200	25,000



(Inches)
Tilt Angle

	120°				110°			100°			90°	
Dimensions	A	R	E	B	R	F	C	R	G	D	R	H
SD5	29 1/2	13	24 1/4	33	7	31 1/4	37 1/4	2	37 1/4	42	2	42
SD6	29 1/2	13	24 1/4	33	7	31 1/4	37 1/4	2	37 1/4	42	2	42
SD7	28 1/2	15	22 1/4	31 1/2	9	29 1/4	35 1/2	4	35	40	2	40
SD8	34 1/2	15	28	37 3/4	9	35 1/2	42	3	42	47	2	47
SD9	31 1/2	14	25 1/2	35	7	33 1/2	39 1/2	2	39 1/2	45	2	45
SD10	31 1/2	15	25	35	8	33	39 1/2	2	39 1/2	45	2	45
SD11	31	17	23 1/2	34 1/2	10	31 3/4	38 1/4	4	38 1/4	44	2	44
SD12	30 1/2	17	22	33 3/4	9	30 3/4	38	5	37 1/2	43	2	43

