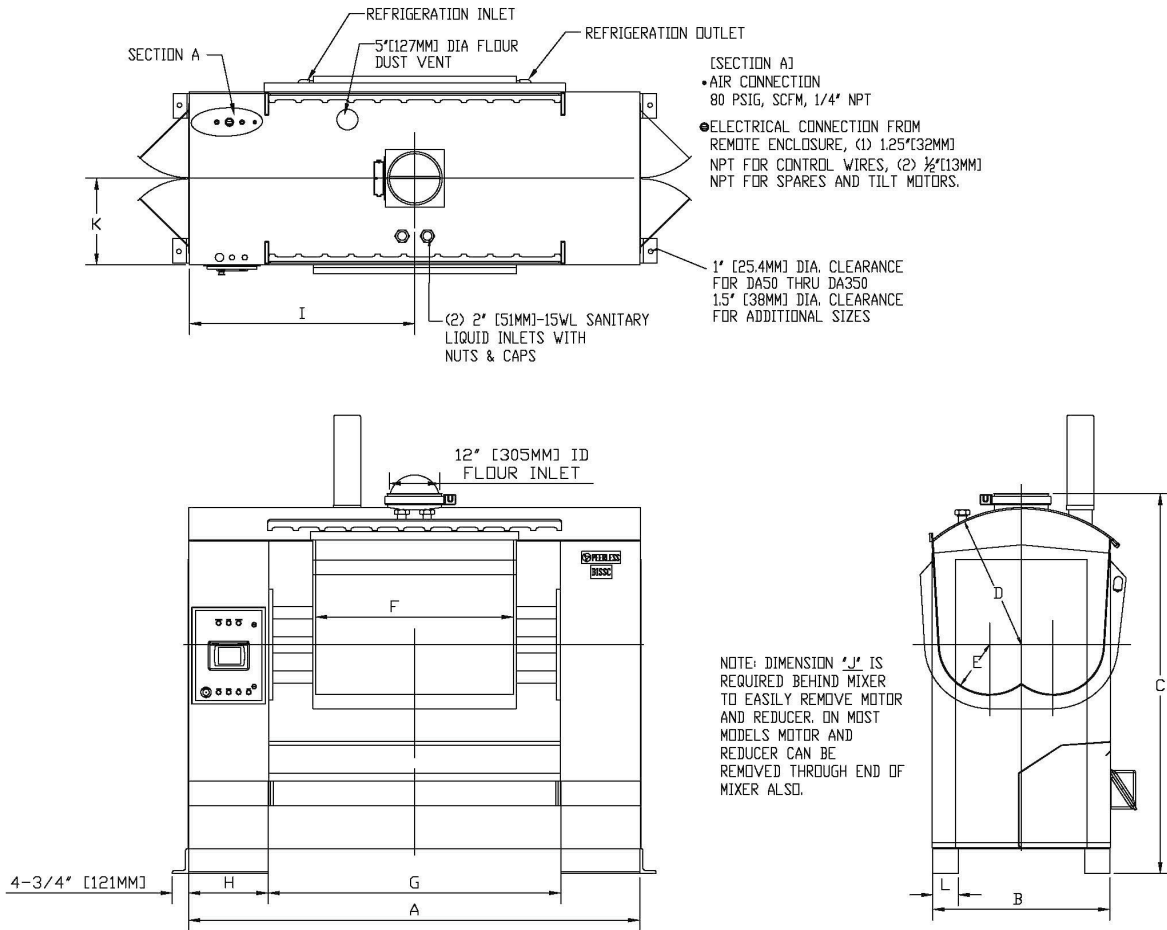


# Double Arm Mixer - Heavy Duty Spec Sheet (Metric)



## DIMENSIONS (Inches)

Model	A	B	C	D	E	F	G	H	I	J	K	L
DA50	1,067	711	318	419	838	2,146	699	959	1,918	660	1,143	216
DA100	1,067	711	318	457	914	2,146	762	959	1,918	660	1,143	305
DA150	1,067	889	318	457	914	2,146	762	1,048	2,096	660	1,321	305
DA200	1,067	1,194	445	457	914	2,337	838	1,372	2,743	660	1,753	305
DA250	1,067	1,194	445	457	914	2,388	889	1,372	2,743	660	1,753	305
DA300	1,168	1,397	445	508	1,016	2,540	914	1,473	2,946	711	1,956	330
DA350	1,168	1,397	445	508	1,016	2,540	914	1,473	2,946	711	1,956	356
DA400	1,321	1,397	483	546	1,092	2,807	1,016	1,511	3,023	813	1,930	394
DA500	1,422	1,524	483	597	1,194	2,883	1,016	1,588	3,175	813	2,083	406
DA600	1,473	1,702	483	622	1,245	2,934	1,067	1,676	3,353	813	2,261	432
DA650	1,524	1,702	483	622	1,270	2,934	1,067	1,676	3,353	813	2,261	457

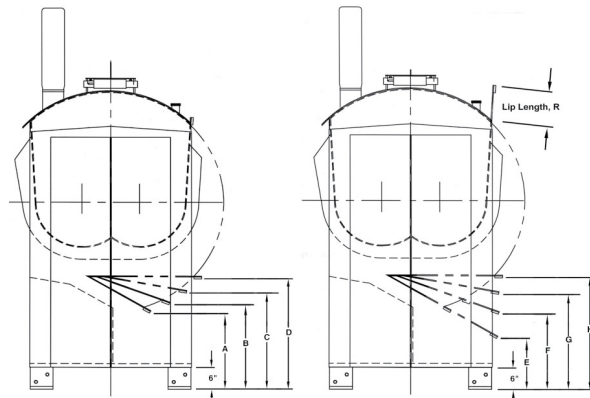
Dimensions are for reference only. Due to the continuous effort of Peerless Engineering to improve performance, dimensional data and specifications are subject to change without notice.



# Double Arm Mixer - Heavy Duty Spec Sheet (Metric)

## SPECIFICATIONS

Model	Mixing Capacity (Kilos)	Total Bowl Volume (Liters)	Working Capacity (Liters.)	Drive Motor KW	Total Load (KVA)	Tilt Motor KW	Net Weights (Kilos)	Approx. Shipping Weight (Kilos)
DA50	205	388	286	11	20	4	4,354	4,535
DA100	410	694	513	15	25	4	4,535	4,717
DA150	500	866	643	22	35	4	4,717	4,898
DA200	680	1,263	858	30	45	4	5,170	5,397
DA250	770	1,325	954	37	55	4	5,397	5,624
DA300	930	1,770	1,175	45	65	4	5,692	5,941
DA350	1,065	1,849	1,297	56	80	4	6,190	6,440
DA400	1,180	2,271	1,535	75	105	5.5	9,569	9,887
DA500	1,500	2,721	1,926	93	130	5.5	10,227	10,567
DA600	1,815	3,313	2,347	112	155	5.5	11,156	11,519
DA650	1,995	3,441	2,526	112	155	5.5	11,565	11,927



Tilt Height with Standard 2" Lip

Tilt Height with Extended Lip

Tilt Angle	120°			110°			100°			90°		
	A	R	E	B	R	F	C	R	G	D	R	H
DA50	622	356	470	686	229	622	768	102	762	864	51	864
DA100	546	406	368	603	254	533	686	127	673	775	51	775
DA150	546	406	368	603	254	533	686	127	673	775	51	775
DA200	610	330	470	686	152	648	787	51	787	889	51	889
DA250	584	254	483	667	102	648	775	517	775	889	51	889
DA300	667	356	514	749	178	705	851	51	851	965	51	965
DA350	654	381	489	730	203	679	832	51	832	940	51	940
DA400	679	457	476	762	229	699	876	76	870	1,003	51	1,003
DA500	775	584	508	838	356	737	940	203	914	1,054	51	1,054
DA600	730	584	457	800	356	699	908	178	883	1,029	51	1,029
DA650	794	610	514	857	381	749	959	203	927	1,080	51	1,080

