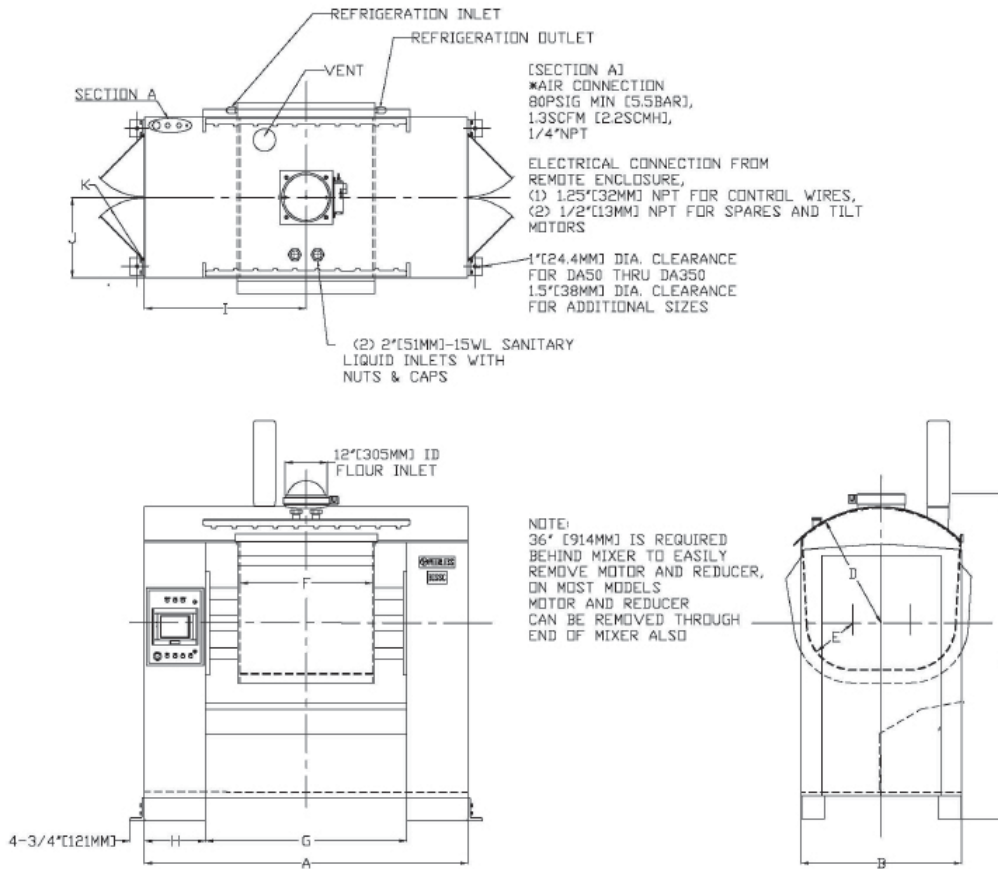


Double Arm Mixer - Spec Sheet (Metric)



DIMENSIONS (Millimeters)

Model	A	B	C	D	E	F	G	H	I	J	K
DA50	2,134	1,067	2,096	699	216	711	1,168	483	1,067	533	483
DA100	2,134	1,067	2,184	762	305	711	1,168	483	1,067	533	483
DA150	2,311	1,067	2,184	762	305	889	1,346	483	1,156	533	483
DA200	2,667	1,067	2,375	838	305	1,194	1,702	483	1,334	533	483
DA250	2,769	1,067	2,426	889	305	1,194	1,803	483	1,384	533	483
DA300	2,921	1,168	2,553	914	330	1,397	1,956	483	1,461	584	533
DA350	2,921	1,168	2,553	914	356	1,397	1,956	483	1,461	584	533
DA400	3,023	1,321	2,807	1,016	394	1,397	1,956	533	1,511	660	610
DA500	3,302	1,422	2,997	1,016	406	1,524	2,083	610	1,575	711	660
DA600	3,531	1,473	3,048	1,067	432	1,702	2,261	635	1,588	737	686
DA650	3,531	1,524	3,099	1,118	457	1,702	2,261	635	1,664	762	711

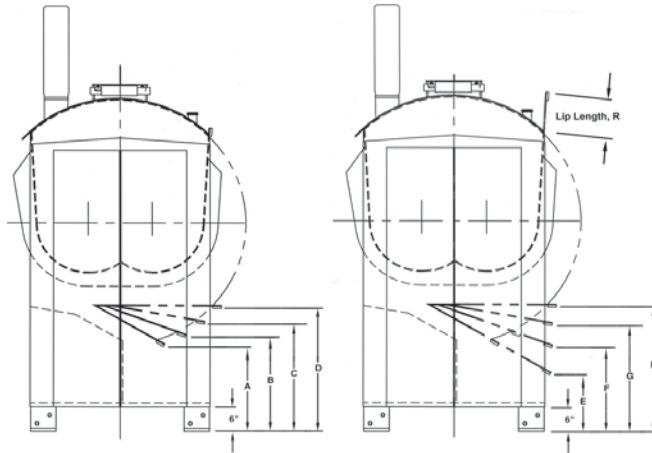
Dimensions are for reference only. Due to the continuous effort of Peerless Engineering to improve performance, dimensional data and specifications are subject to change without notice.



Double Arm Mixer - Spec Sheet (Metric)

SPECIFICATIONS

Model	Mixing Capacity (Kilos)	Total Bowl Volume (Liters)	Working Volume (Liters.)	Drive Motor KW	Single Cylinder Tilt Net Weights (Kilos)	Approx. Shipping Weight (Kilos)
DA50	204	470	294	8	4	4,535
DA100	408	674	490	11	4	4,717
DA150	500	963	620	15	4	4,898
DA200	680	1,249	833	22	4	5,397
DA250	770	1,478	974	30	4	5,397
DA300	930	1,846	1,150	37	4	5,692
DA350	1,066	1,826	1,277	45	4	6,190
DA400	1,179	2,438	1,597	56	6	9,569
DA500	1,497	2,662	1,838	75	6	10,227
DA600	1,814	3,375	2,260	93	6	11,156
DA650	1,996	3,460	2,447	93	6	11,565



Tilt Height with Standard 51MM Lip

Tilt Height with Extended Lip

Dimension	Tilt Height with Standard 51MM Lip				Tilt Height with Extended Lip							
	120°		110°		100°		90°					
Tilt Angle	A	R	E	B	R	F	C	R	G	D	R	H
DA50	622	356	470	686	229	622	768	102	762	864	51	864
DA100	546	406	368	603	254	533	686	127	673	775	51	775
DA150	546	406	368	603	254	533	686	127	673	775	51	775
DA200	610	330	470	686	152	648	787	51	787	889	51	889
DA250	584	254	483	667	102	648	775	51	775	889	51	889
DA300	667	356	514	749	178	705	851	51	851	965	51	965
DA350	654	381	489	730	203	679	832	51	832	940	51	940
DA400	648	457	495	787	229	978	895	76	889	1016	51	1016
DA500	864	584	699	933	381	819	1029	203	1003	1143	51	1143
DA600	921	584	654	997	356	889	1105	178	1080	1219	51	1219
DA650	876	610	597	959	356	851	1067	152	1054	1194	51	1194

•Mixing capacity calculated using dough density @ .80 Kgs/liter
 •KW based off 40 RPM @ 50 or 60 hz

